

FIG. 1A

FIG. 1B

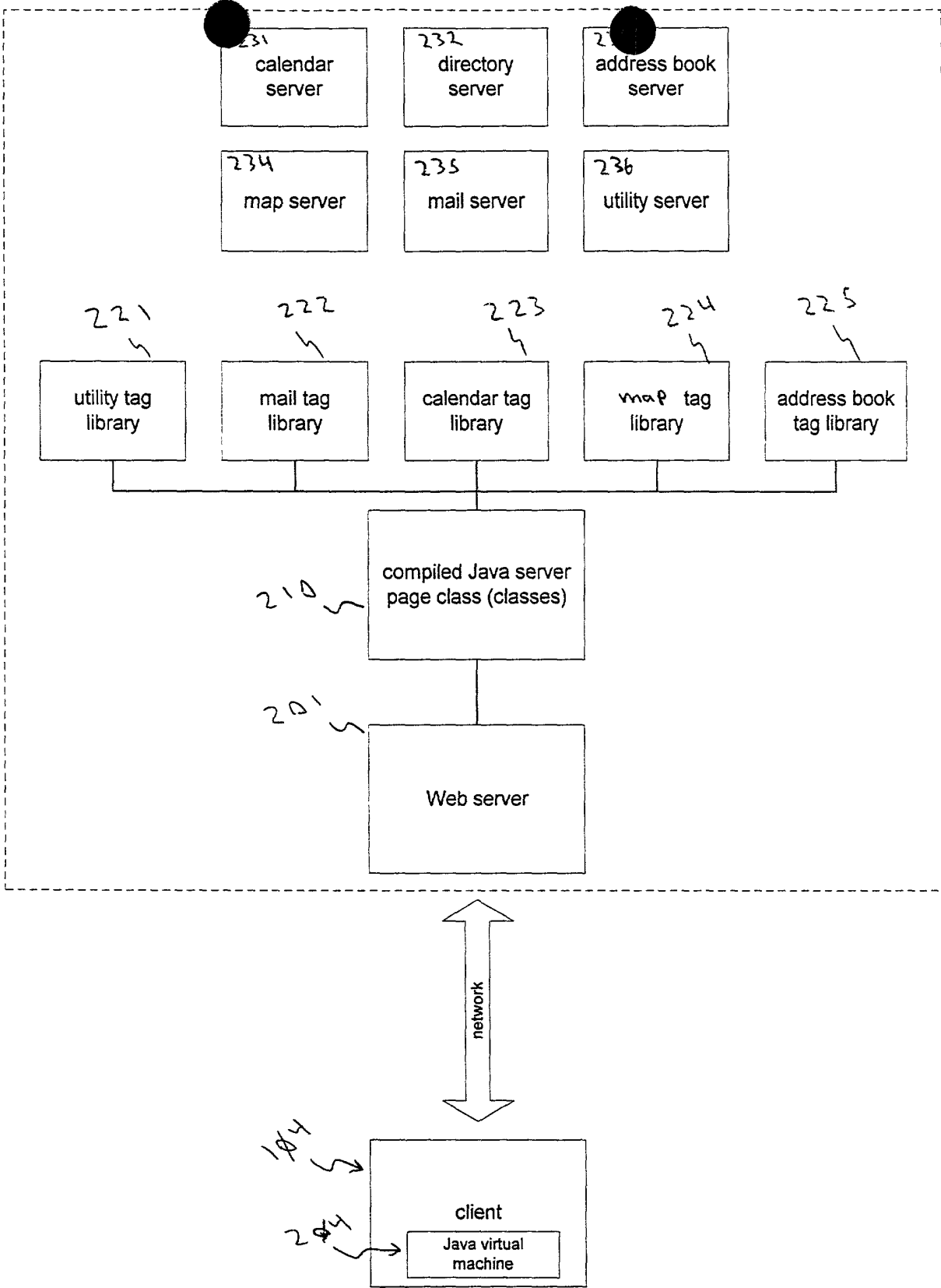


FIG. 1B

FIG. 2

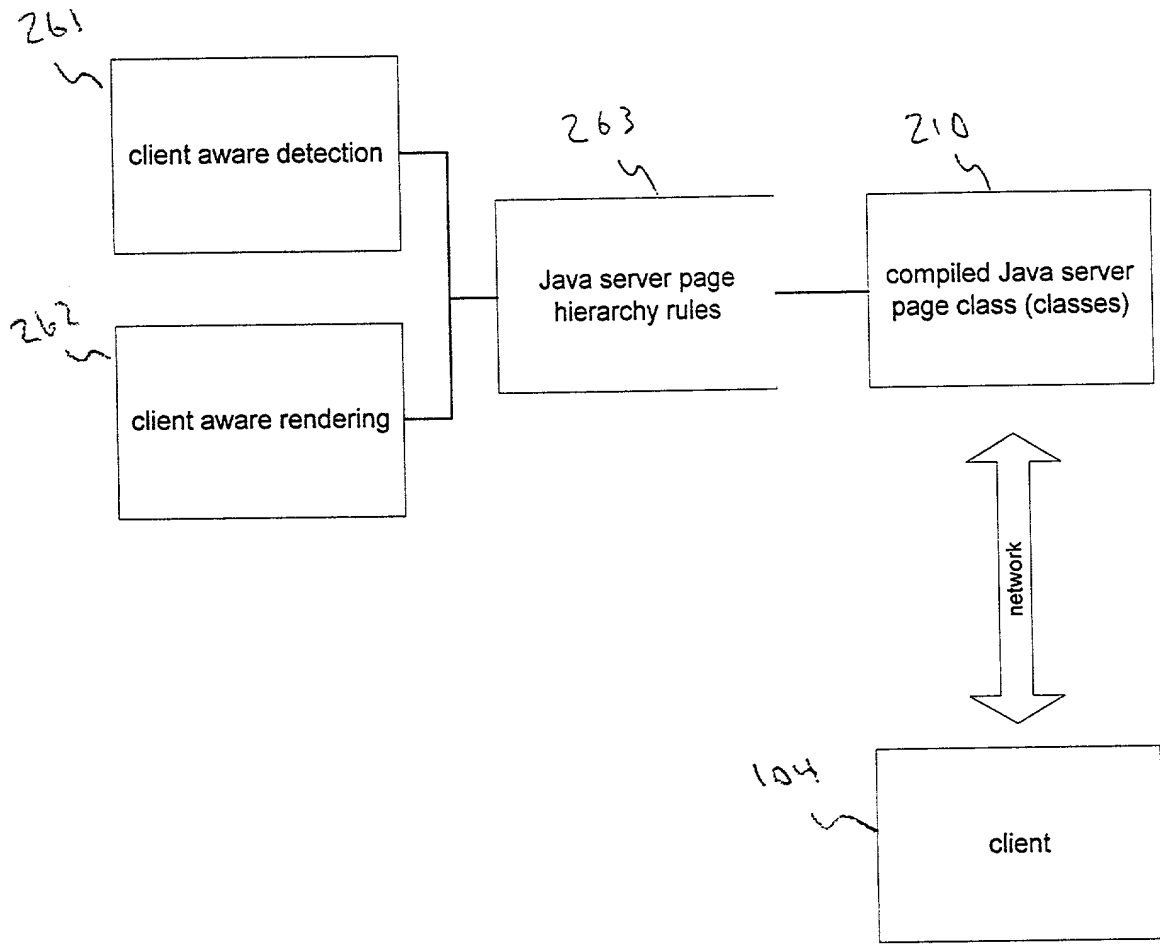


FIG. 2

300

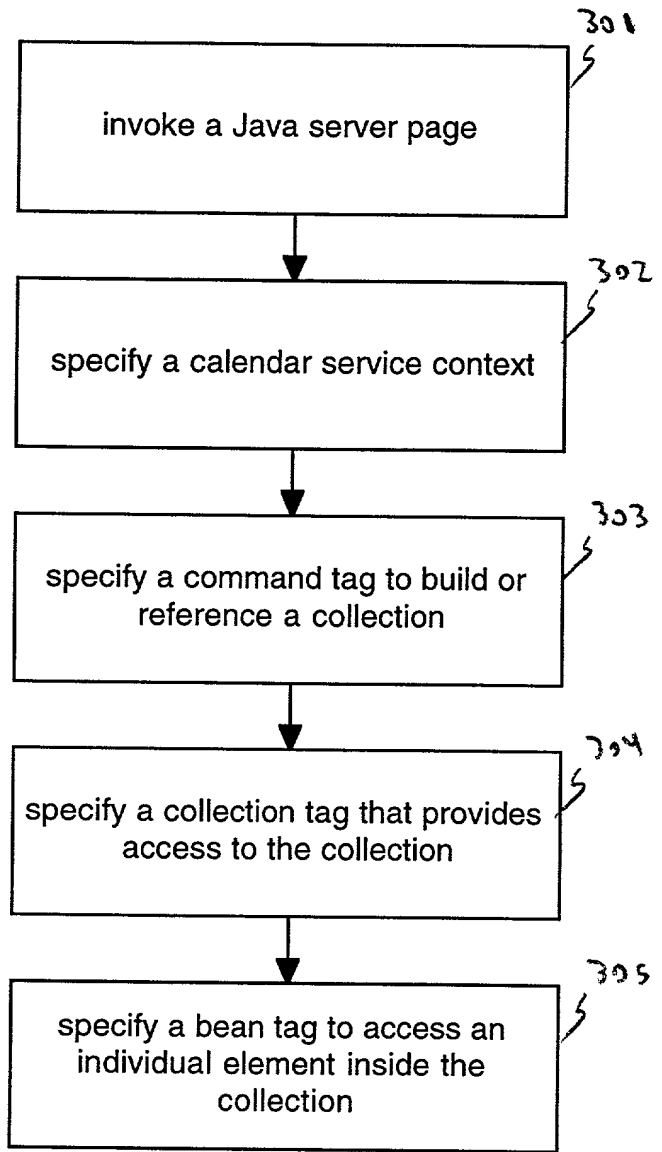


FIG. 3

Patent for which this application is a continuation of U.S. Pat. No. 6,440,000

Patent 6,838,663

400

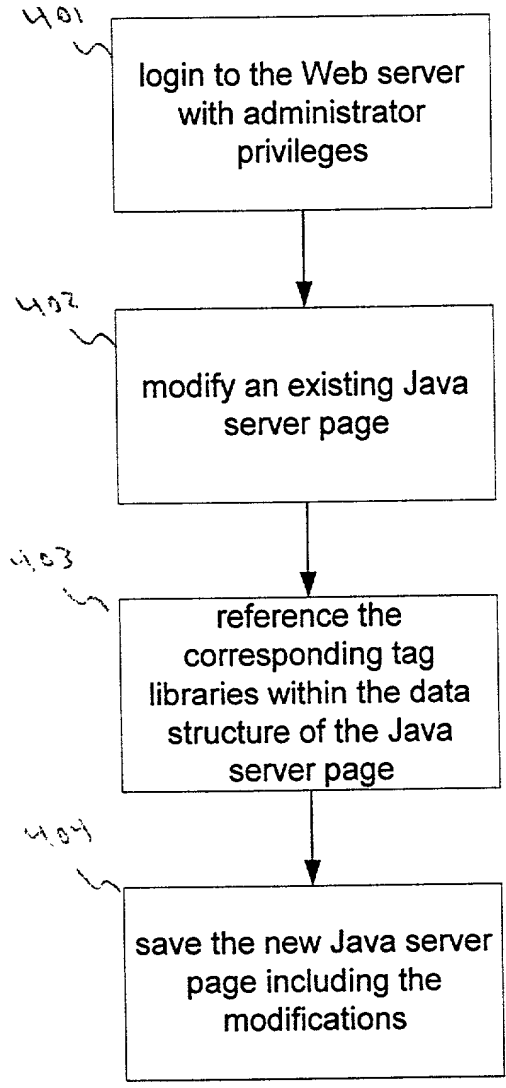


FIG. 4

500

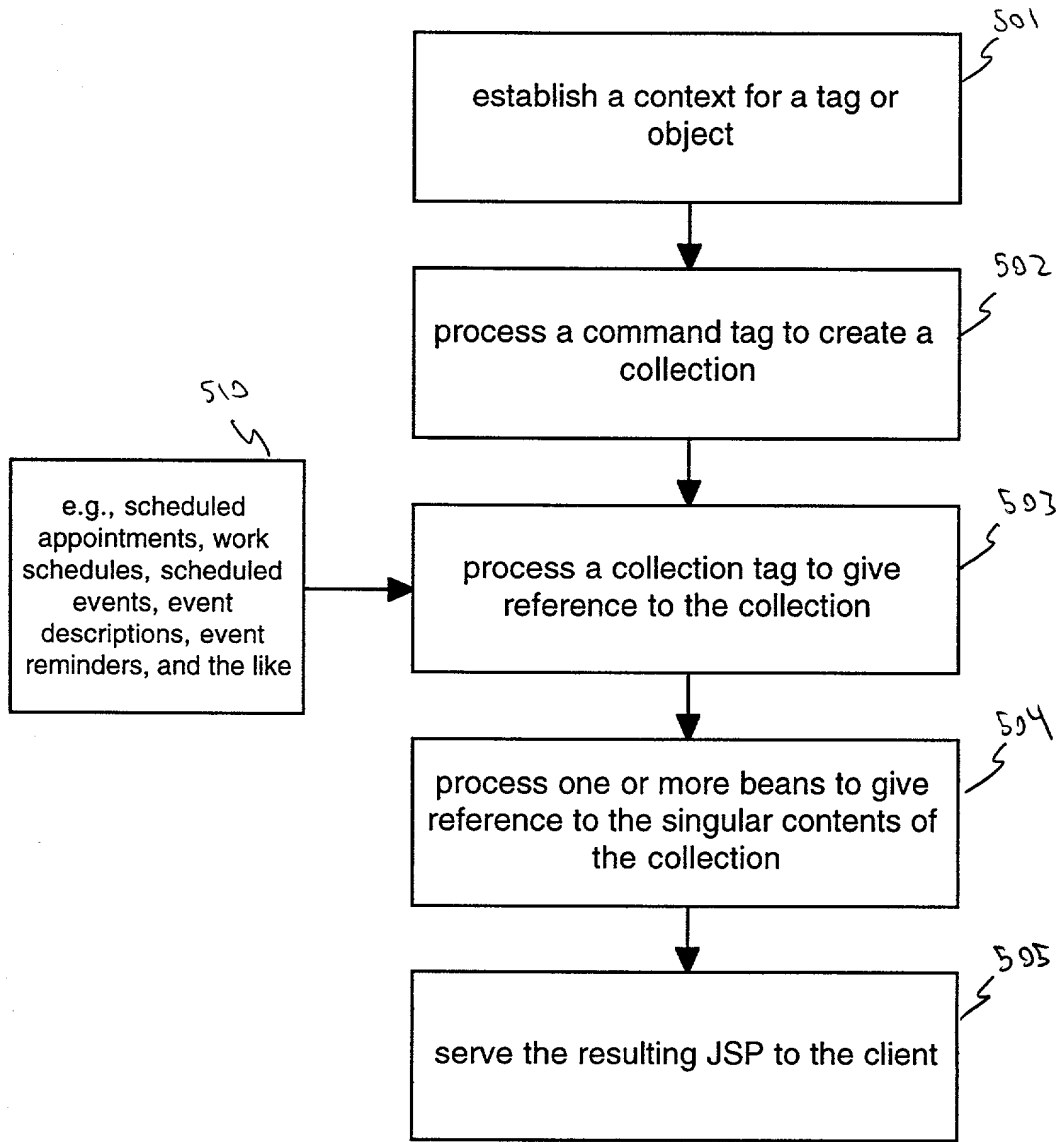


FIG. 5

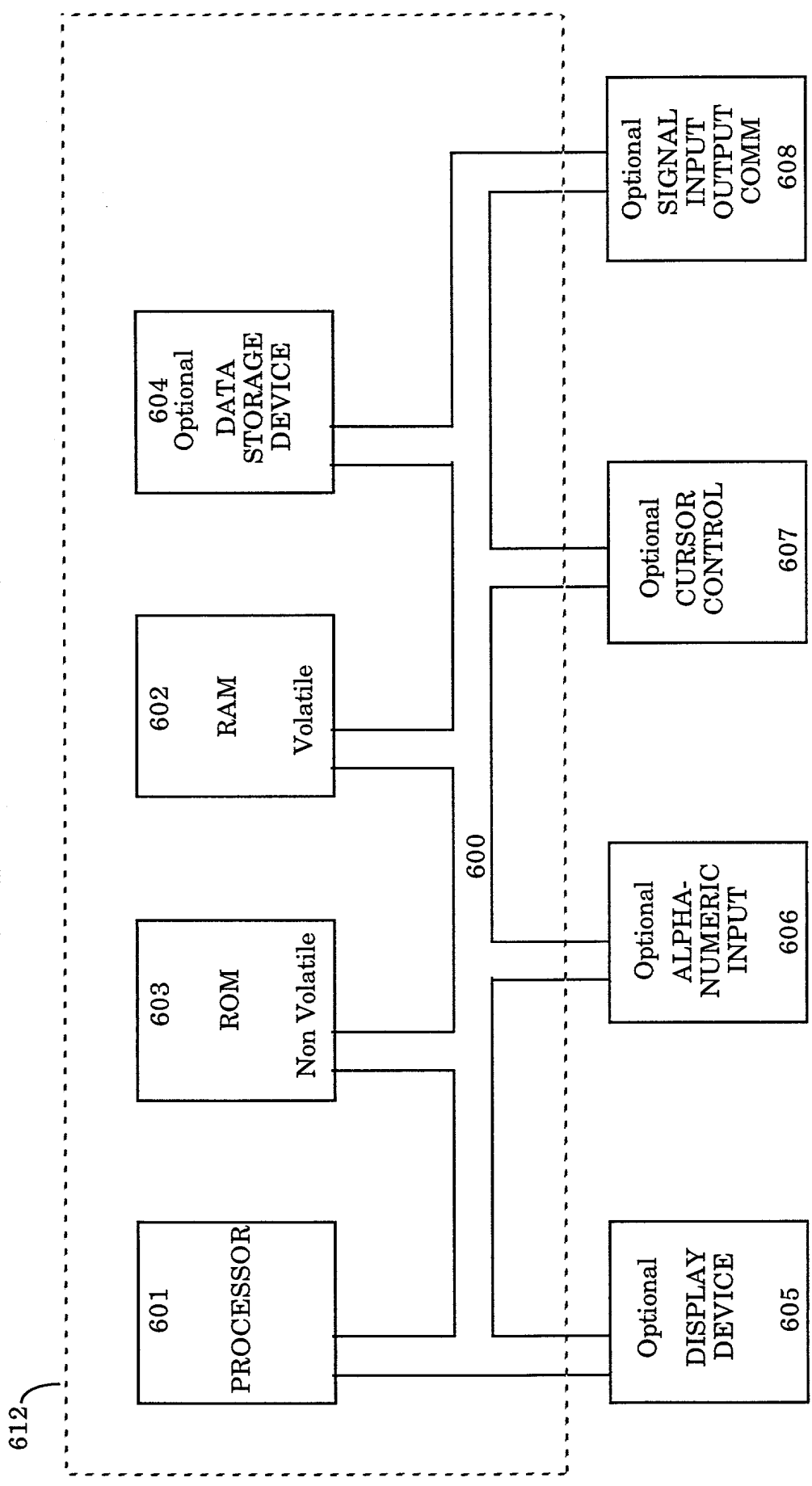


FIG. 6